

**Handling System for Rack Type  
Pre-wash Table with Sink and  
Scrape Hole, Right to Left, 1200mm**

ITEM # \_\_\_\_\_

MODEL # \_\_\_\_\_

NAME # \_\_\_\_\_

SIS # \_\_\_\_\_

AIA # \_\_\_\_\_



865410 (BHRPTBH12R)

Prewash table with bowl and hole for Rack Type Dishwasher, Right>Left, 1200 mm

**Short Form Specification**

Item No. \_\_\_\_\_

Designed for rack type dishwashers. Constructed in 304 AISI stainless steel. Integrated splashback.

N. 2 square 40x40mm square legs with height-adjustable feet. Sink size 500x400x300mm with overflow pipe and drain hole. Waste scraping hole with a rubber ring.

Basket direction: from right to left.

**Main Features**

- Supplied knocked-down and easy to assemble.
- Designed for 500x500 mm dishwashing racks.
- The table is intended to be directly connected with the rack type in the loading side from right to left direction.
- Suitable to be installed alone with the rack type dishwasher to save space.

**Construction**

- 304 AISI stainless steel construction throughout.
- Equipped with scrape hole.
- Included splashback to prevent water spatter.
- Deep anti-drip profiles completely folded with lower edge for safe and easy cleaning.
- All surfaces smooth with polished finish.
- 40x40 mm square tubular legs in AISI 304 stainless steel.
- Stainless steel feet 50 mm adjustable in height to ensure that tables drain back into the dishwasher.
- To be secured to the dishwasher and fitted with one pair of legs at the other end.
- Optionally equipped with undershelf, pre-rinse unit, strainer basket and scrap plate.

**Sustainability**

- Stainless steel feet 50 mm adjustable in height to align the operation height between the dishwasher and table as well as to ensure that tables drain back into the dishwasher.

**Optional Accessories**

- 2 legs for floor mounted storing shelf PNC 855296
- Dish scraper PNC 855297
- DOUBLE HOLE DECK MOUNTED ELBOW OPERATED MIXING TEMP. FAUCET WITH PRE-RINSE UNIT PNC 855379
- DECK MOUNTED MIXING TEMPERATURE PRE-RINSE UNIT PNC 855380
- Wall mounted mixing temperature pre-rinse unit PNC 855381
- Single hole deck mounted mixing temperature pre-rinse unit PNC 855385
- Single hole deck mounted elbow operated mixing temperature faucet with pre-rinse unit PNC 855386
- Single hole deck mounted riser add-on mixing temperature faucet with pre-rinse unit PNC 855389
- Undershelf for dishwasher table, 1200 mm PNC 865352
- Floor fastening kit for 2 square legs PNC 865386
- Removable bridge table, 800 mm PNC 865418
- Removable bridge table with hole, 800 mm PNC 865419

APPROVAL: \_\_\_\_\_



## Handling System for Rack Type Pre-wash Table with Sink and Scrape Hole, Right to Left, 1200mm

- Wall/floor mounted storing shelf, 1100 PNC 865420   
mm

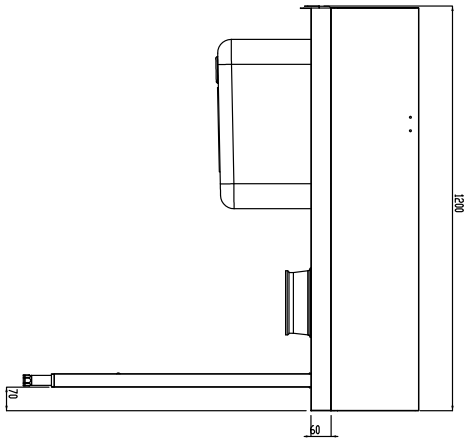


**Handling System for Rack Type  
Pre-wash Table with Sink and Scrape Hole, Right to Left, 1200mm**

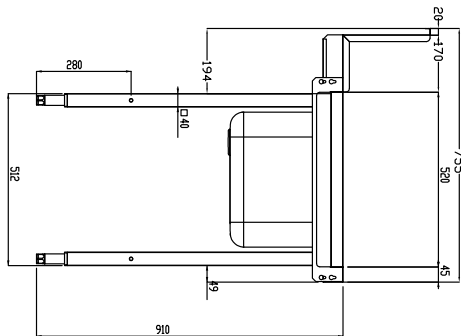
The company reserves the right to make modifications to the products  
without prior notice. All information correct at time of printing.

2025.02.04

**Front**

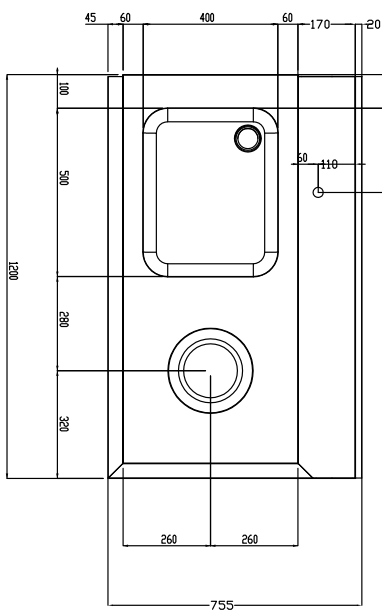


**Side**



D = Drain

**Top**



**Key Information:**

External dimensions, Width:	1200 mm
865410 (BHRPTBH12R)	
External dimensions, Depth:	755 mm
External dimensions, Height:	1170 mm
Net weight:	23 kg
Splashback Dimensions, Height:	260 mm
Basin dimensions:	